

**Turntable**

► **swiss-park TT-4500**

The Turntable TT-4500 is the best way to turn cars around in very small garages. The TT-4500 will turn in 90, 180 or any desired angle of rotation.

**Dimensions**

All space requirements are minimum finished dimensions. Tolerances for space requirements + 3. Dimensions in cm.

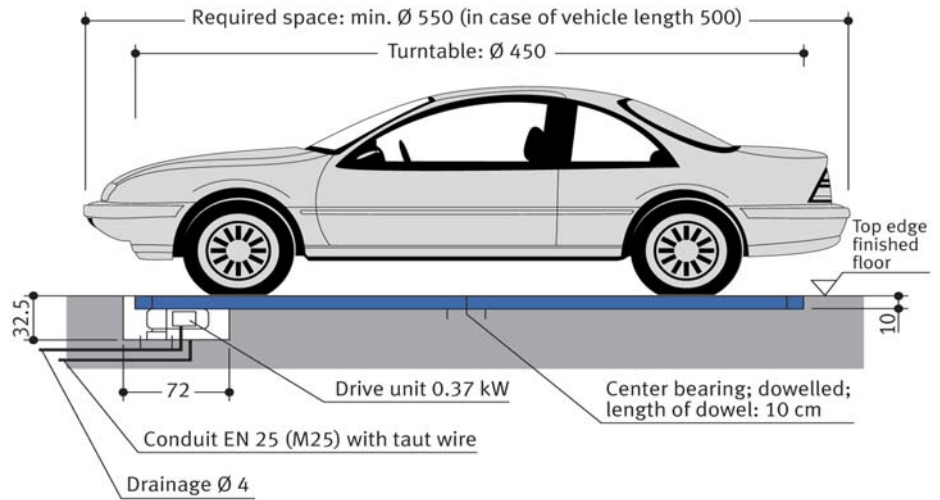
**Top edge finished floor**

Tolerances for the evenness of the carriageway must be strictly complied with in accordance with DIN (= German Industrial Standard) No. 18202, chart 3, line 3.

**Suitable for**

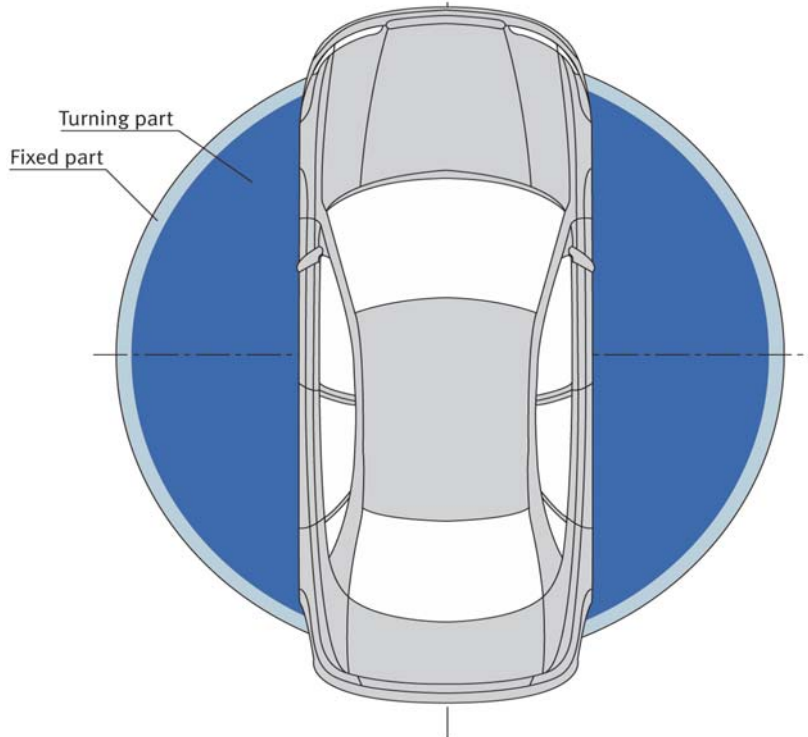
Standard passenger car and station wagon.

**Turntable TT-4500 (below floor level)**

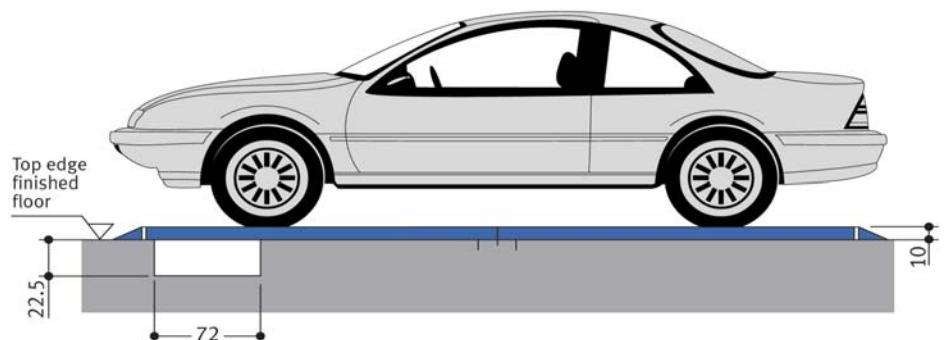


Car dimensions	
width	5.00 m
weight	max. 2500 kg
wheel load	max. 625 kg

Standard passenger cars are vehicles without any sports options such as spoilers, low-profile tyres etc.

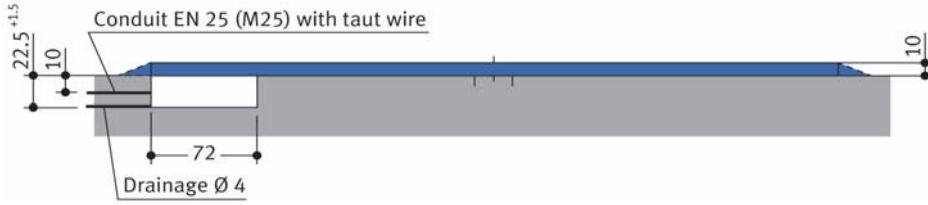


**Turntable TT-4500 (above floor level)**

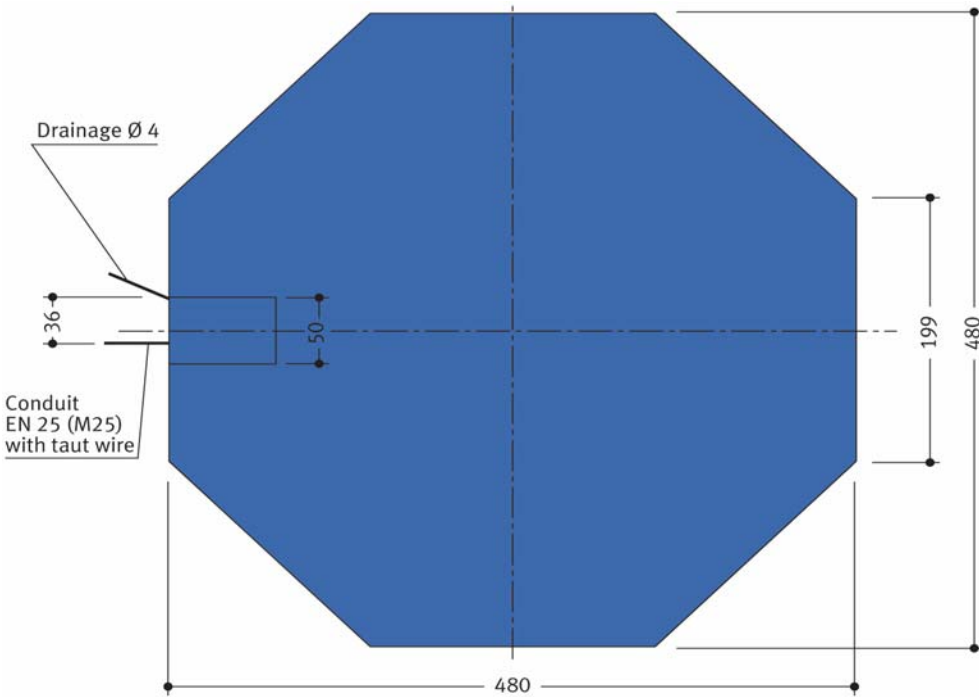
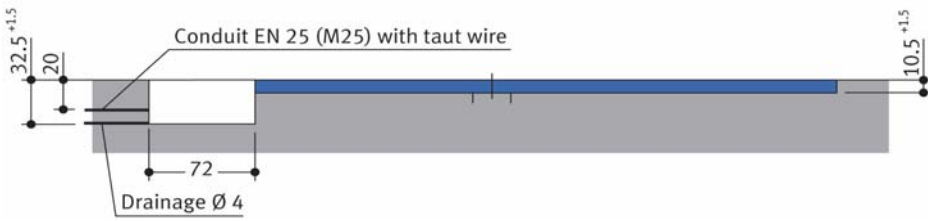


**Recess plan for turntables with drive unit above floor level**

For turntables above floor level only the shaft for the drive unit is required (72 x 50 x 22.5)



**Recess plan for turntables with drive unit below floor level**



## Electrical data

### Electrical supply

- Supply line 5 x 1.5 mm<sup>2</sup> (3 PH+N+PE) to the main cabinet with lockable main switch. It is possible, that special laying system and big length of the cable necessitate larger cable. The electric installation must correspond to the local standards.
- Main fuse: 3 x fuse 10 A (slow) or circuit breaker 3 x 10 A (trigger characteristic K, G or C).
- The supply line to the main cabinet must be provided by the customer during installation. The functionality can be monitored on site by our fitters together with the electrician. If this cannot be done during installation for some reason for which the customer is responsible, the customer must commission an electrician at their own expense and risk.

### Operating device

- Easy-to-survey positioning (e.g. on column).
- Protection against unauthorized use.
- May also be recessed in wall if required.

## Technical data

### Available documents

- maintenance offer/contract
- declaration of conformity

### Corrosion protection

See separate sheet regarding corrosion protection.

### Environmental conditions

Environmental conditions for the area of **SWISS-PARK** Systems: Temperature range -10 to +40° C. Relative humidity 50 % at a maximum outside temperature of +40° C.

### Noise emission

Ball bearing of the rollers provide a low sound level.

### Notes

- Max. load: cars and small trucks up to 2,500 kg
- It is prohibited to work on vehicles that are currently parked on the turntable
- The parked vehicle must be protected against unintentional movement, in accordance to the operating instructions
- The transport of any persons on the turntable is only permitted when seated inside the vehicle

## To be performed by the customer

### Main switch

Lockable main switch per main cabinet. The lockable main switch is to be mounted directly next to the main cabinet.

### Recess

Recess for drive motor and turntable, drainage of the recess.

### Conduit

Conduit EN 25 (M25) with taut wire between the drive pit and the main cabinet.

### Embedding

Embedding in concrete.

### Drainage

Drainage is optional.

### Electrical supply to the main cabinet

The supply line to the main cabinet must be provided by the customer during installation. The functionality can be monitored on site by our fitters together with the electrician. If this cannot be done during installation for some reason for which the customer is responsible, the customer must commission an electrician at their own expense and risk.

### Building services

Lighting, ventilation, fire extinguishing and fire alarm systems.

### If the following are not included in the quotation, they will also have to be provided / paid for by the customer:

- Costs for final technical approval by an authorized body

## Description

### General description

The total height is 28 cm. The rotor consists of individual segments that are screwed together to form a solid frame. This frame is equipped with central ball bearings and is distributed (in accordance to the static requirements for coverage) over 23 maintenance-free, plastic rollers with ball bearings, which allow low-noise movement of the turntable.

These rollers are placed on the circular U-profile frame, which is mounted securely to the floor using dowelled joints. Additional concrete brackets are welded to the sides. The frame and the turntable are mounted to each other with a respective spacing of approximately 8 mm.

### Drive

- The turntable is driven by a three-phase geared motor using frictional resistance (0.37 kW, IP 55, 400 V, 50 Hz)
- In 45 seconds, the table rotates 1 x 360° (n = 1.33/min)
- In the event of a power failure, the turntable can be rotated manually by releasing the motor brake
- The motor is supported in a special compensator with adjustable contact pressure
- Specifications regarding the enclosure size for the motor and the ductwork that must be setup by the customer can be found on page 2

### Operation

- A push-button is used for operation in dead man's control
- The power feed supplied by the customer can be interrupted using a lockable main switch

### Floor cover

- The floor cover is made of galvanized corrugated sheet metal
- A cover is built-in at the appropriate location for installation and maintenance work
- Screws, nuts and plates are galvanized
- All other steel and sheet metal parts are hot-galvanized with exception of construction-related parts such as bolts, bearings, etc.

### Weight

- The weight of the entire turntable is approximately 1,500 kg
- The turntable has a diameter of 450 cm

### Options

- 2-channel radio remote control
- Proximity switch (radar)
- Safety light barriers (infrared)

## We reserve the right to change this specification without further notice

The **SWISS-PARK** company reserves the right in the course of technical progress to use newer or other technologies, systems, processes, procedures or standards in the fulfillment of their obligations other than those originally offered provided the customer derives no disadvantage from their so doing.